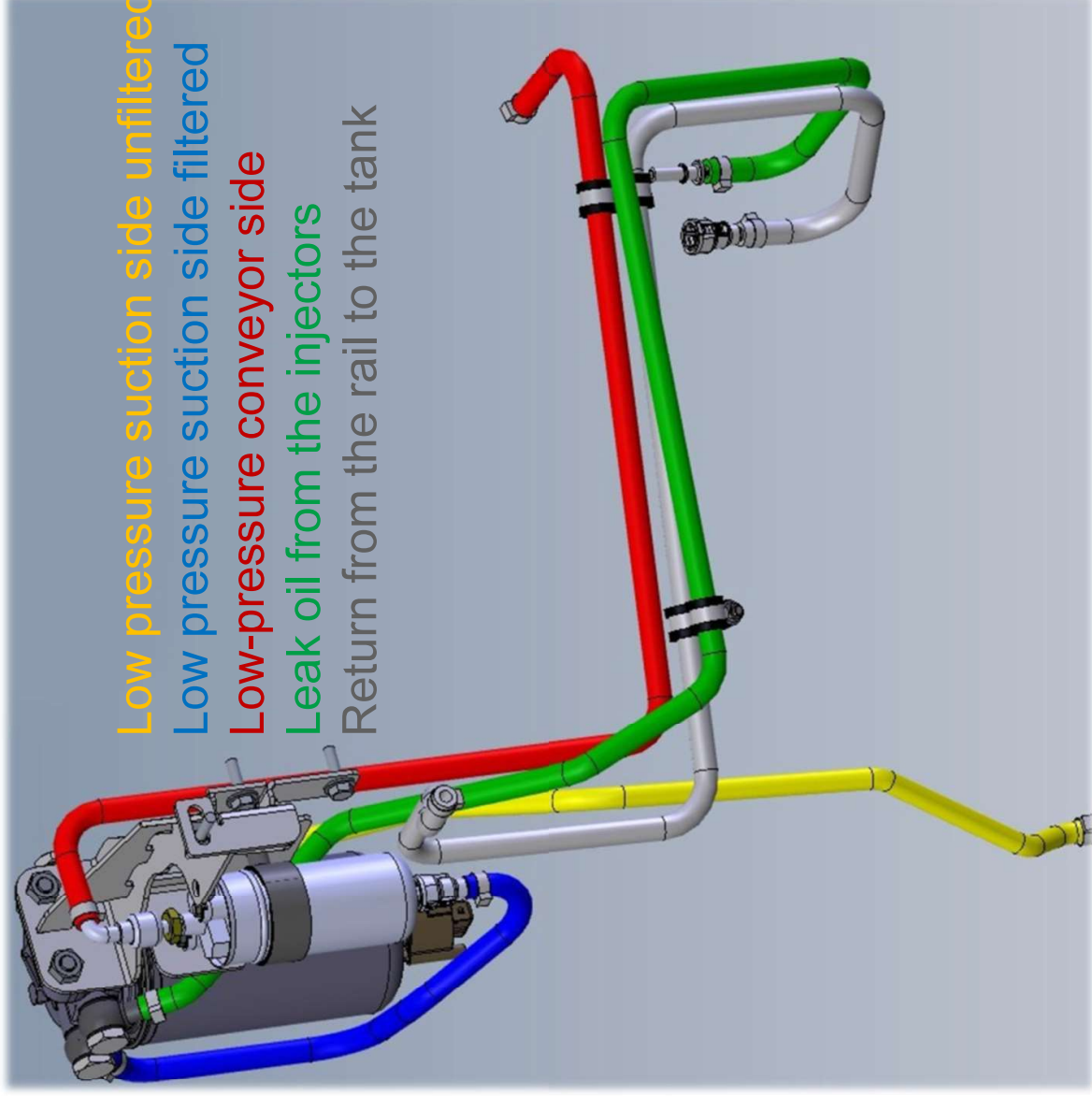
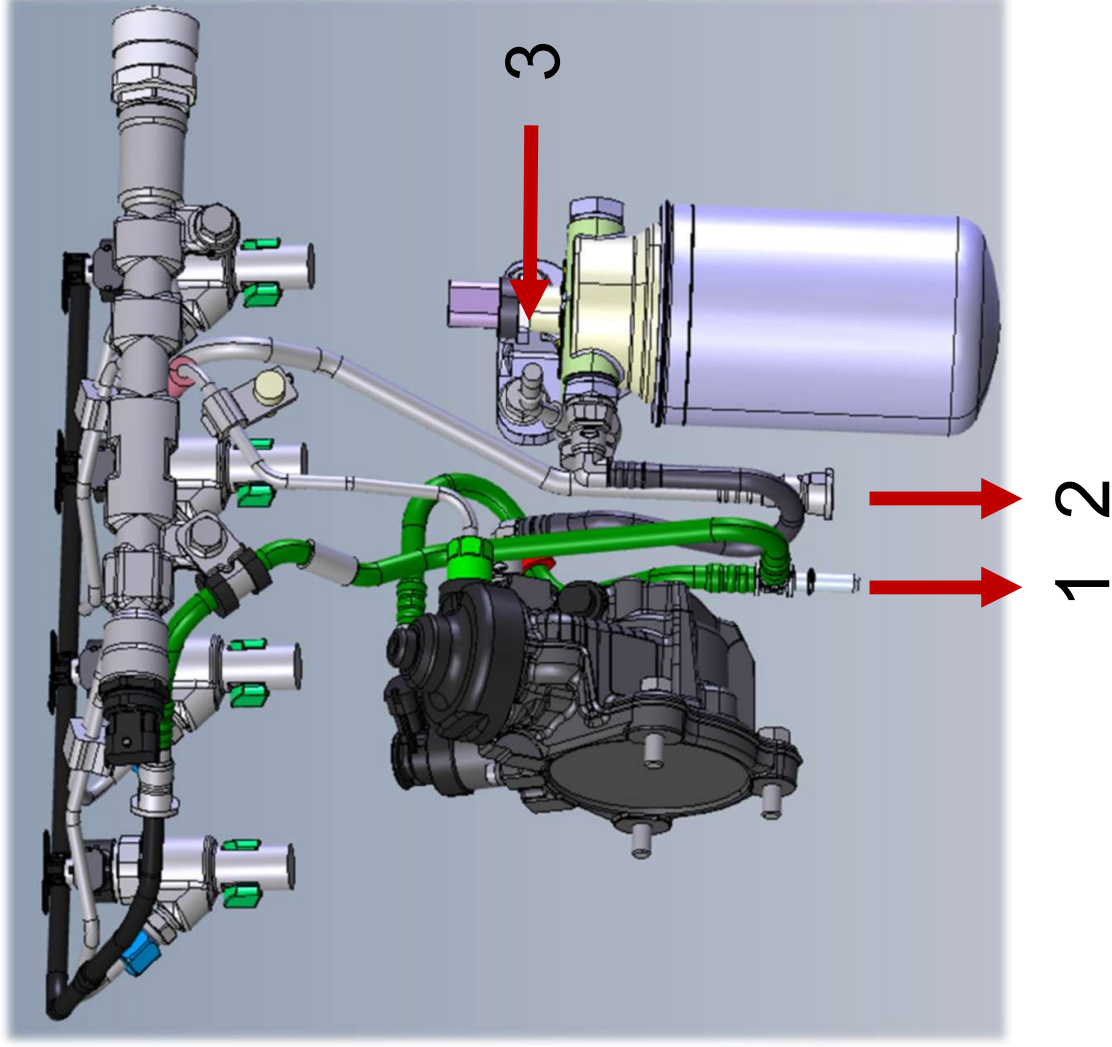


# Citymaster 1650 1491.15 9.0.1.2 Hatz Engine Fuelsystem



**Citymaster 1650 1491.15**  
**9.0.1.2 Hatz Engine Fuelsystem**



1. Leak oil from the injectors
2. Return from the rail to the tank
3. Connection low-pressure conveyor side